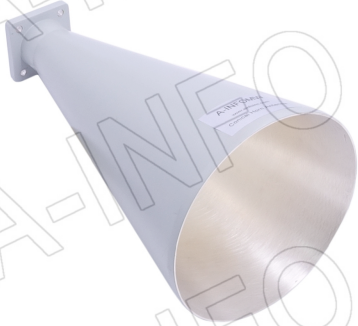


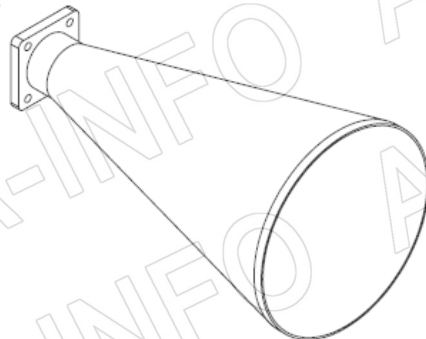
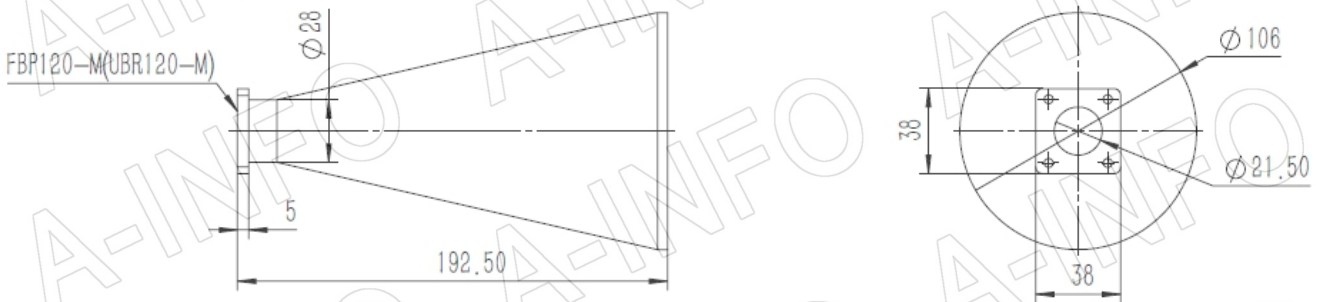
For reference only. See data sheet for the detailed specifications.

## Technical Specification

Frequency Range(GHz)	10.0 - 15.0
Circular WG Size	21.5mm / 0.846"
Gain(dBi)	20 Typ.
Polarization	Linear and Circular
3dB Beamwidth(deg)	E Plane: 14 Typ.
	H Plane: 17 Typ.
Cross Pol. Isolation(dB)	45 Typ.
VSWR	1.20:1 Max.
Output	FBP120-M(UBR120-M)
Material	Al
Finish	Sliver Plated, Gray Paint
Size(mm)	106 x 106 x 192.5
Net Weight(Kg)	0.22 Around



## Outline Drawing (Size: mm)



## AINFO Inc.

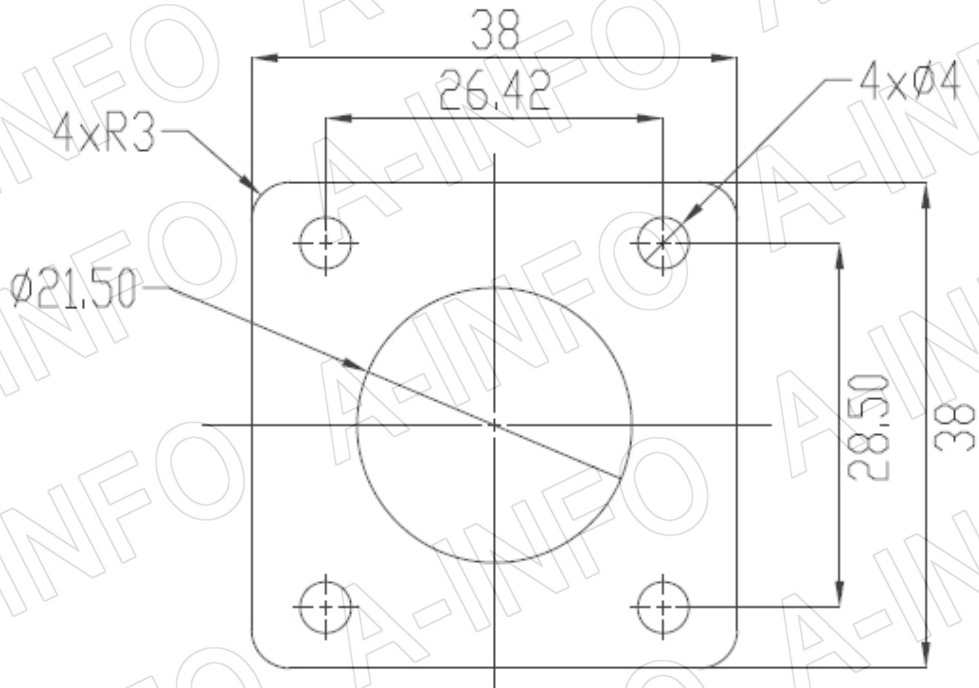
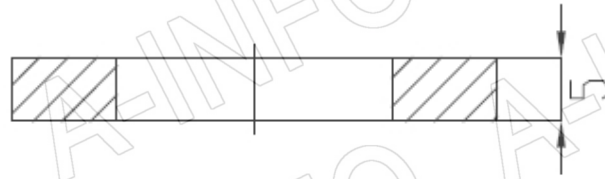
China(Beijing): Tel: (+86) 10-6266-7326,  
China(Chengdu): Tel: (+86) 28-8519-2786,  
USA : Tel: (+1) 949-639-9688,

Page 1 of 6

(+86) 10-6266-7327 Fax: (+86) 10-6266-7379  
(+86) 28-8519-3044 Fax: (+86) 28-8519-3068  
(+1) 949-639-9608 Fax: (+1) 949-639-9670

Website: [www.ainfoinc.com](http://www.ainfoinc.com)  
Email: [sales@ainfoinc.com](mailto:sales@ainfoinc.com)

## Flange Drawing (Size: mm)



FBP120-M

### AINFO Inc.

China(Beijing): Tel: (+86) 10-6266-7326,  
China(Chengdu): Tel: (+86) 28-8519-2786,  
USA: Tel: (+1) 949-639-9688,

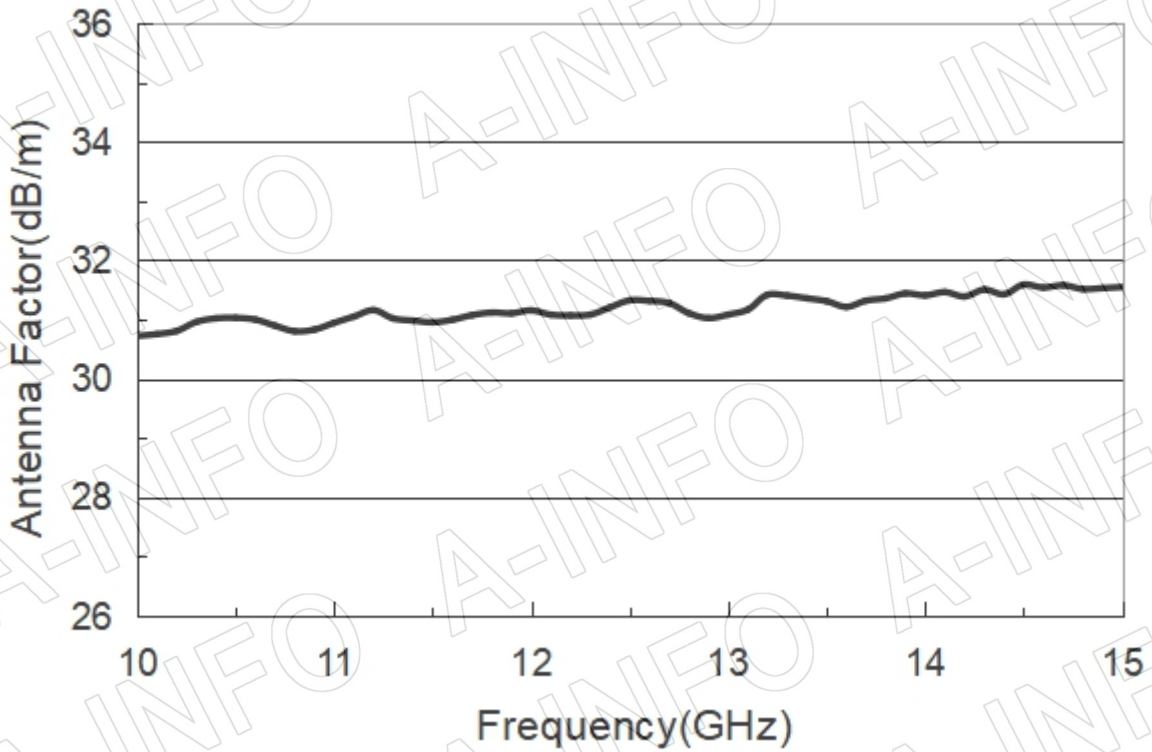
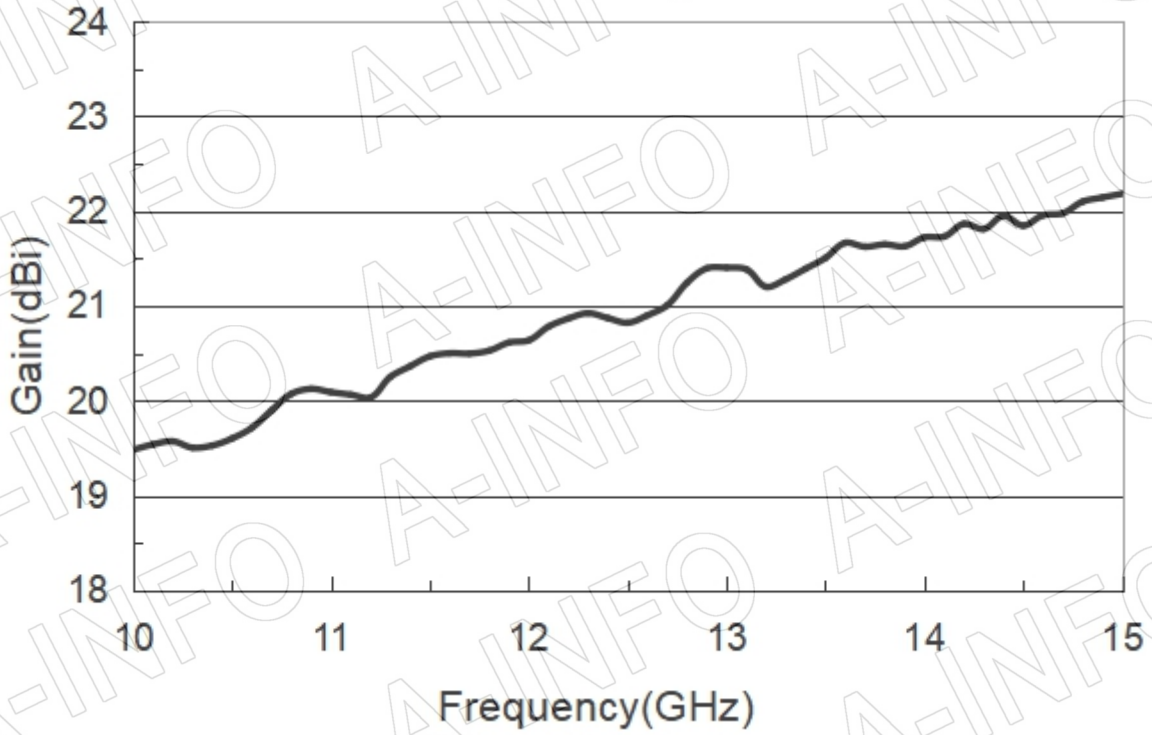
Page 2 of 6

(+86) 10-6266-7327 Fax: (+86) 10-6266-7379  
(+86) 28-8519-3044 Fax: (+86) 28-8519-3068  
(+1) 949-639-9608 Fax: (+1) 949-639-9670

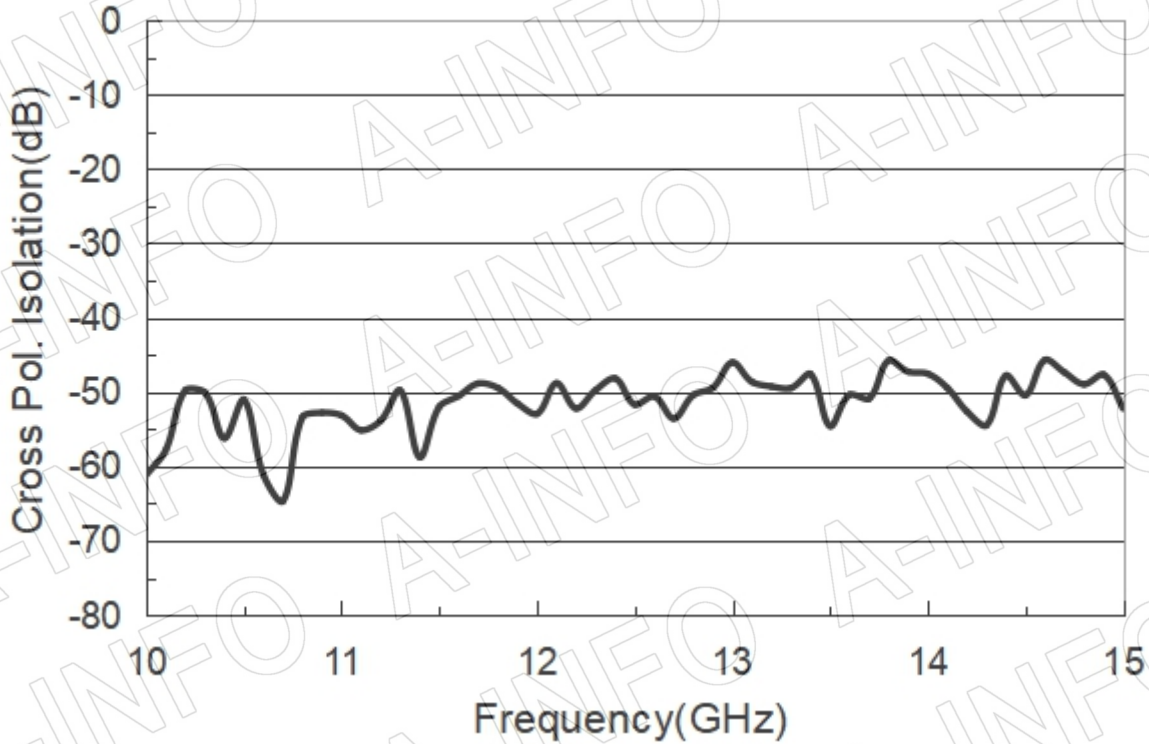
Website: [www.ainfoinc.com](http://www.ainfoinc.com)  
Email: [sales@ainfoinc.com](mailto:sales@ainfoinc.com)

## Test Results (Including circular to rectangular transition)

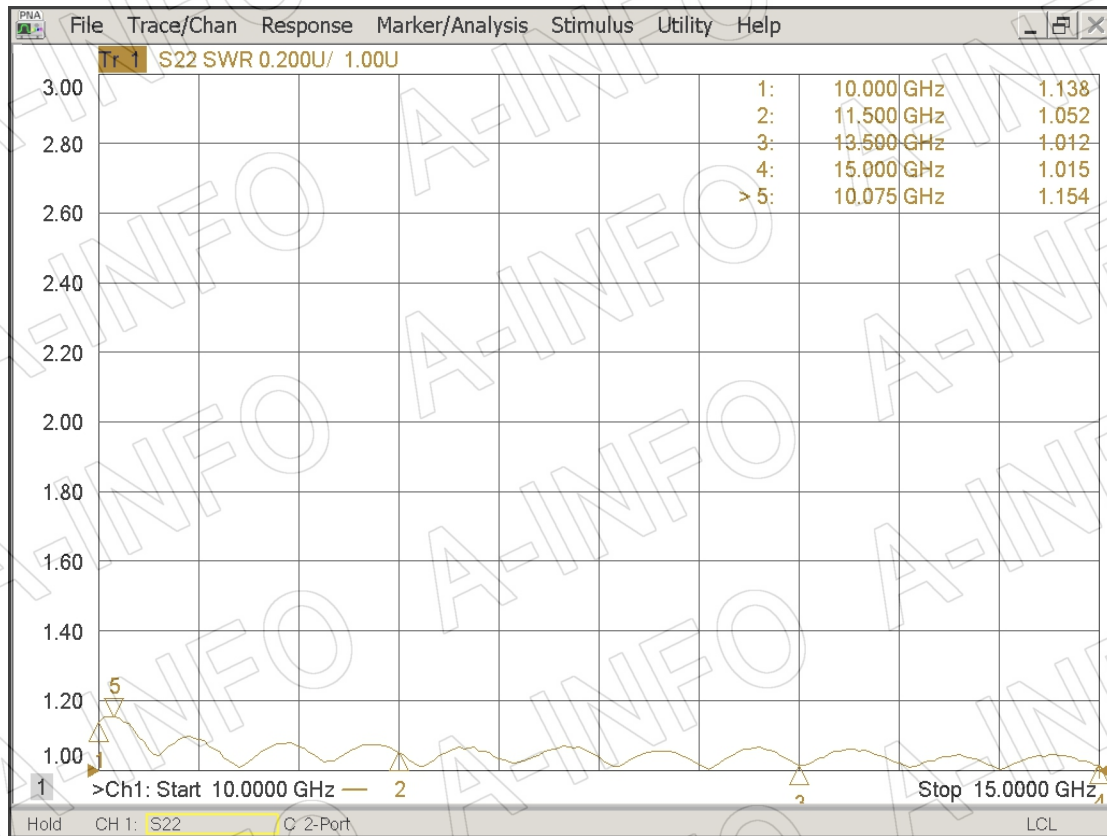
### 1. Gain & Antenna Factor



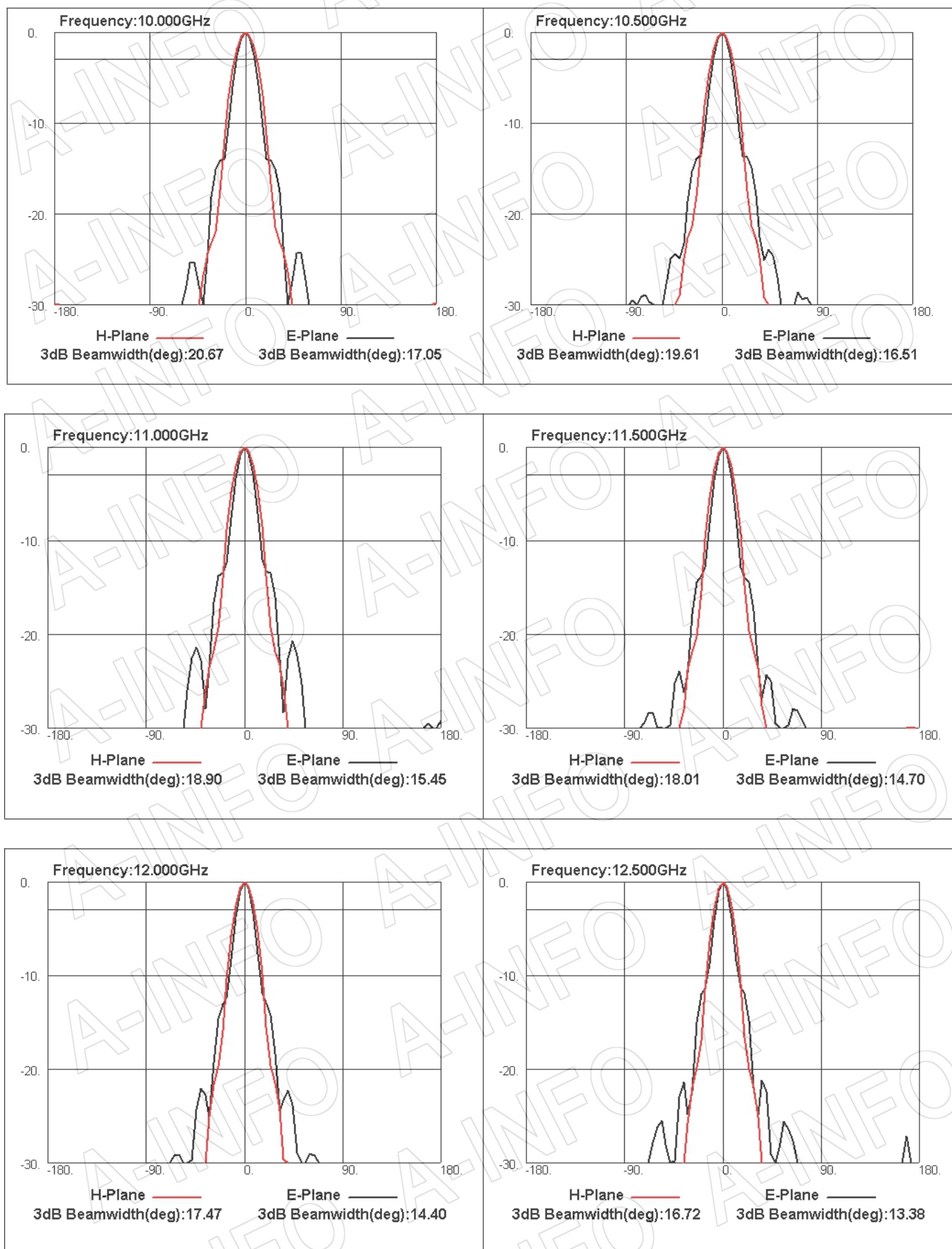
## 2. Cross Polarization Isolation



## 3. VSWR



## 4. Pattern



**AINFO Inc.**

China(Beijing):  
China(Chengdu):  
USA :

Tel: (+86) 10-6266-7326,  
Tel: (+86) 28-8519-2786,  
Tel: (+1) 949-639-9688,

(+86) 10-6266-7327  
(+86) 28-8519-3044  
(+1) 949-639-9608

Page 5 of 6

Fax: (+86) 10-6266-7379  
Fax: (+86) 28-8519-3068  
Fax: (+1) 949-639-9670

Website: [www.ainfoinc.com](http://www.ainfoinc.com)  
Email: [sales@ainfoinc.com](mailto:sales@ainfoinc.com)

